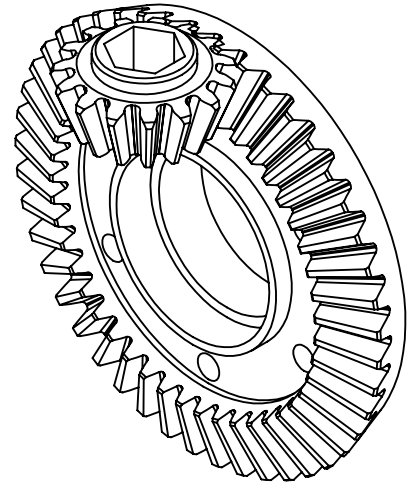
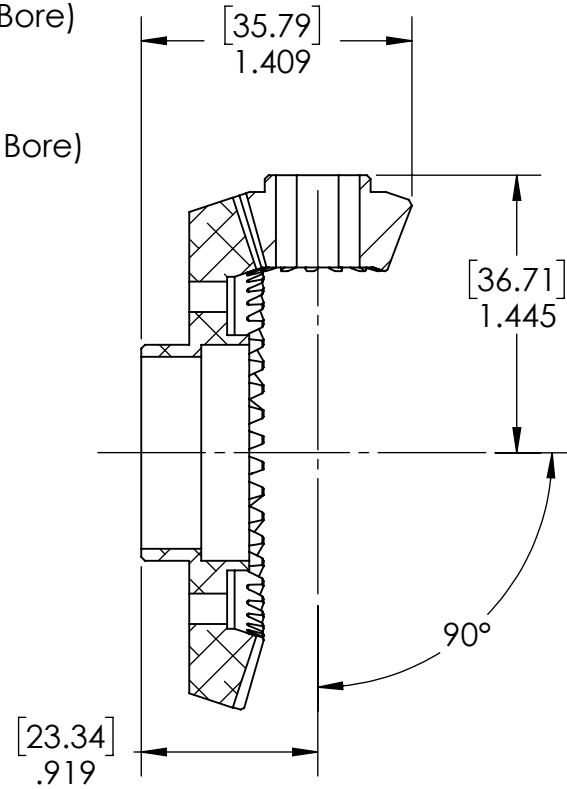
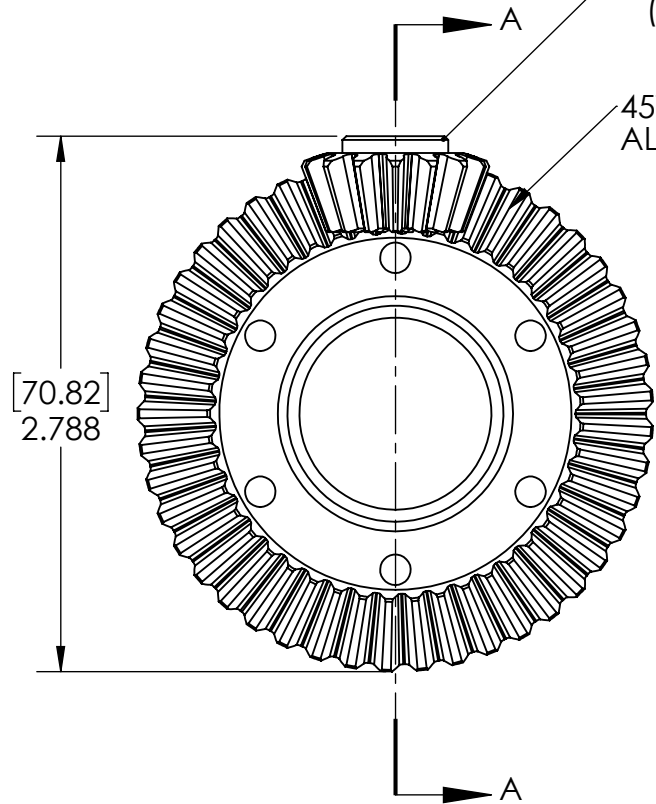


Description	WCP Bevel Gears 3:1		
Dwg No	Bevel Gears 3:1		
Project	FIRST Robotics - FRC	Sheet 1 of 1	
Release	8/19/2021	ALL DIMENSIONS ARE IN INCHES [MM].	



15T Steel Bevel Gear
(1.5 Module, 3/8" Hex Bore)
(WCP-0276)

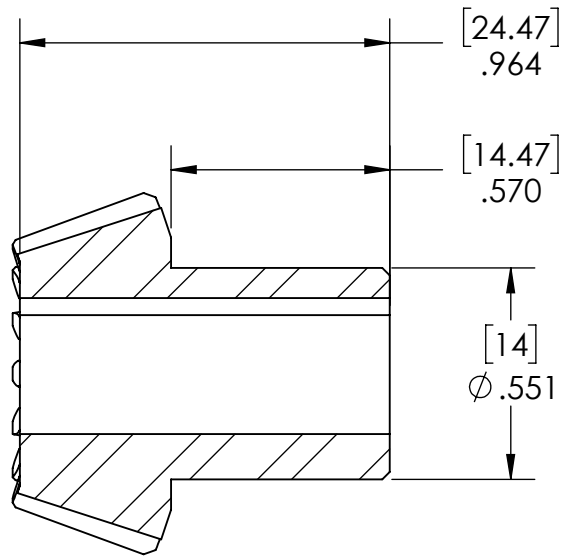
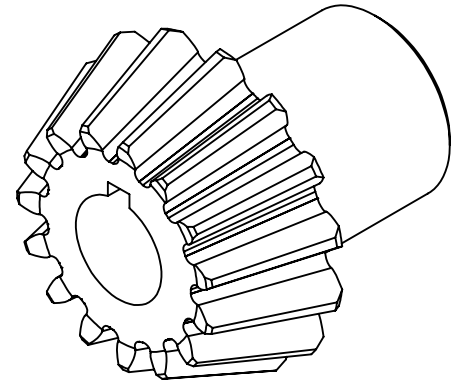
45T (1.5 Module, Round Bore)
AL or Steel Version



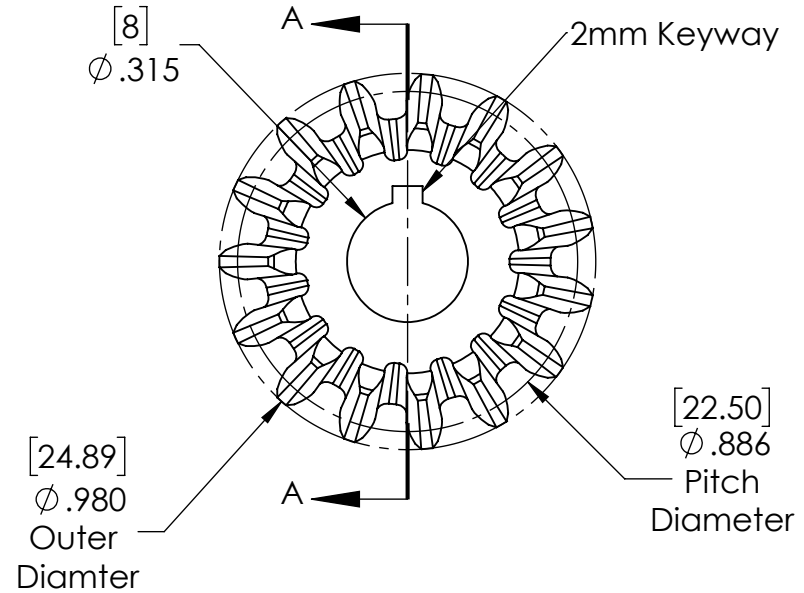
SECTION A-A



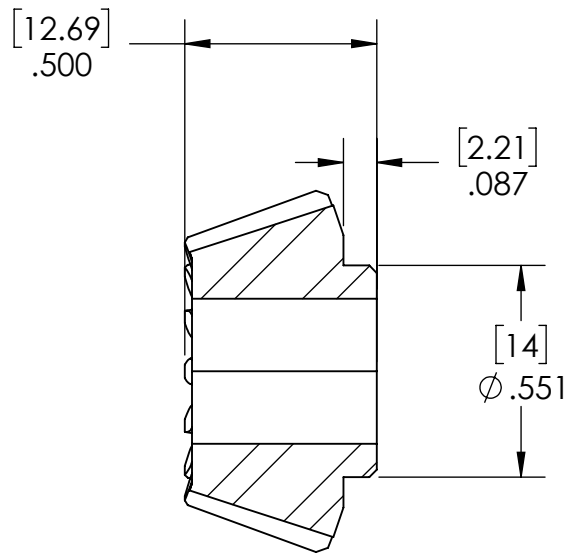
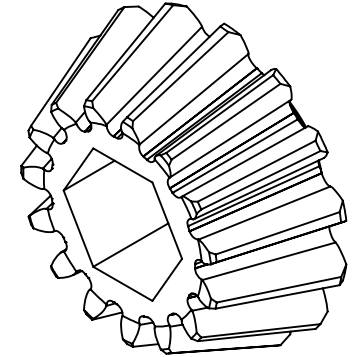
Description		WCP Bevel Gears 3:1	
Dwg No		Bevel Gears 3:1	
Project		FIRST Robotics - FRC	Sheet 1 of 1
Release	8/19/2021	ALL DIMENSIONS ARE IN INCHES [MM].	



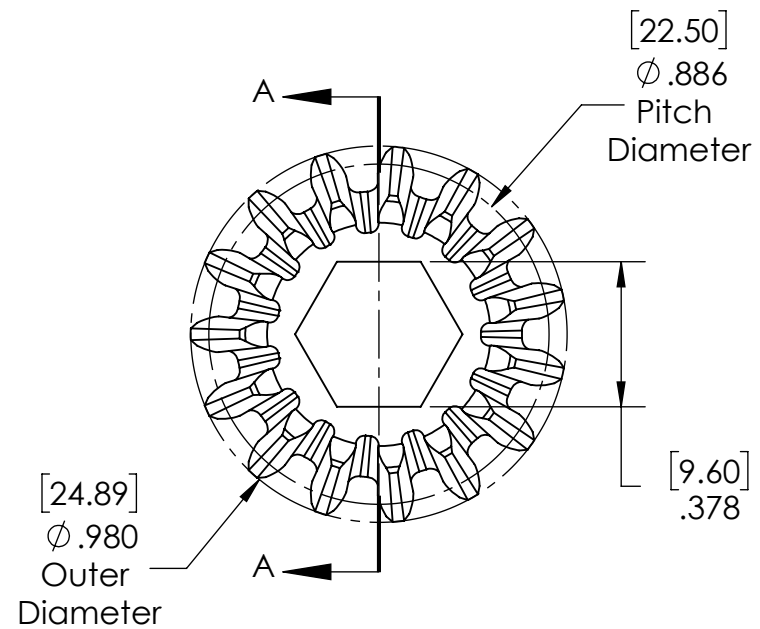
SECTION A-A



Description		15t Steel Bevel Gear (1.5 Module, 8mm Key Bore)	
Dwg No		Bevel Gears 3:1	
Project		FIRST Robotics - FRC	Sheet 1 of 1
Release	8/19/2021	ALL DIMENSIONS ARE IN INCHES [MM].	

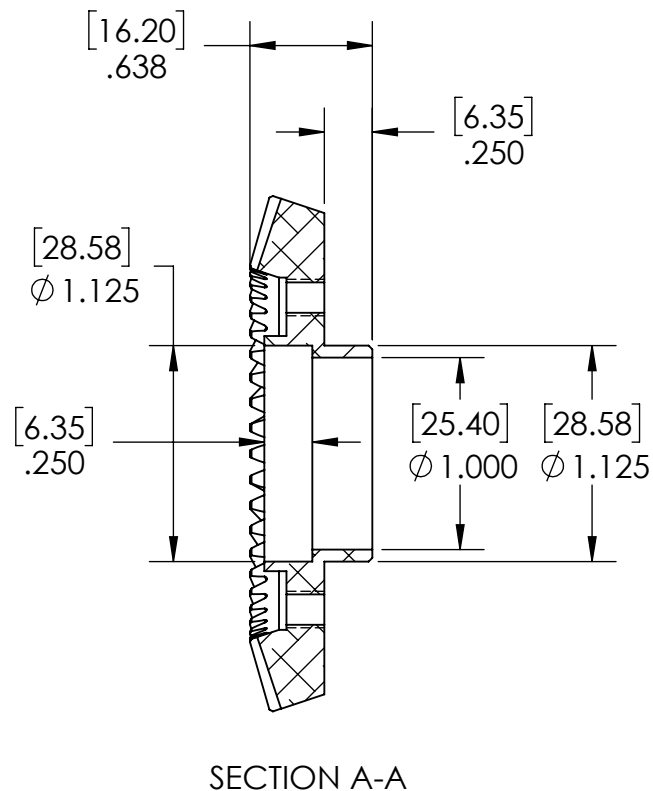
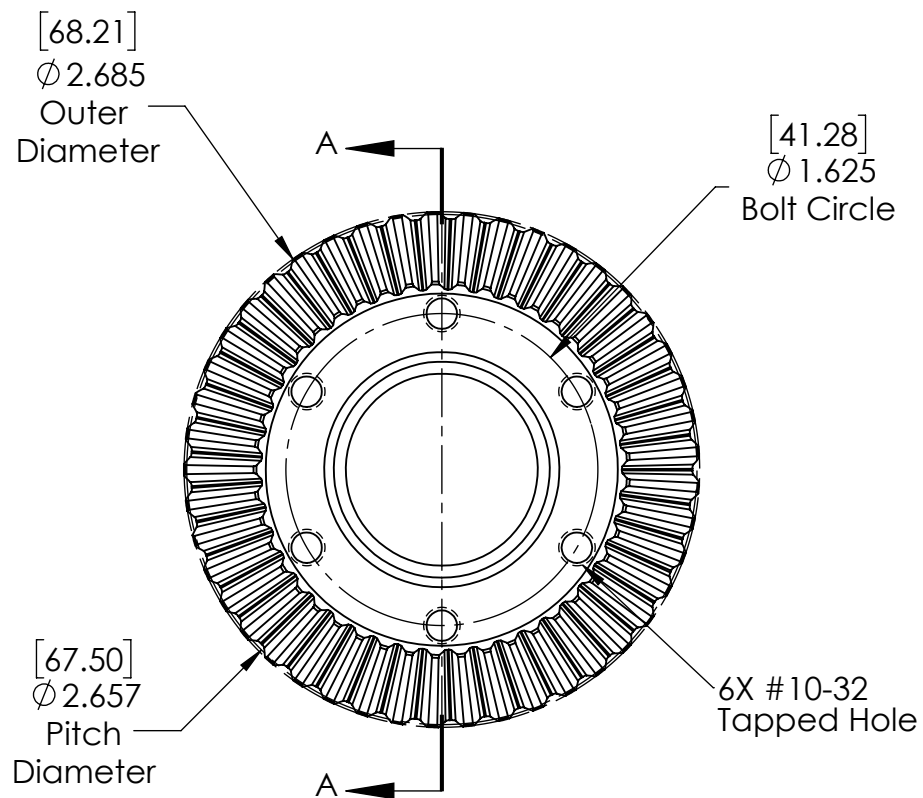
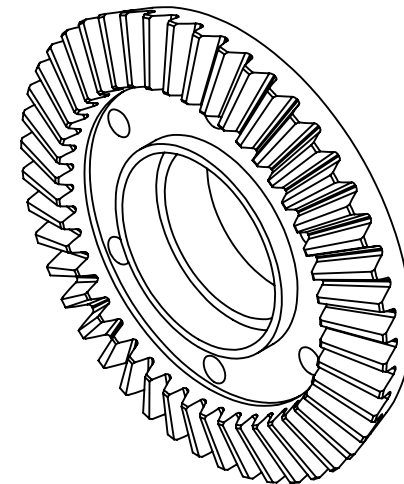


SECTION A-A



Description	15t Steel Bevel Gear (1.5 Module, 3/8" Hex Bore)	
Dwg No	Bevel Gears 3:1	
Project	FIRST Robotics - FRC	Sheet 1 of 1
Release	8/19/2021	ALL DIMENSIONS ARE IN INCHES [MM].

Note: Steel and Aluminum versions have the same dimensions.



Description	45t Bevel Gear (1.5 Module, 1" Round Bore)	
Dwg No	Bevel Gears 3:1	
Project	FIRST Robotics - FRC	Sheet 1 of 1
Release	8/19/2021	ALL DIMENSIONS ARE IN INCHES [MM].

WWW.WCPRODUCTS.COM